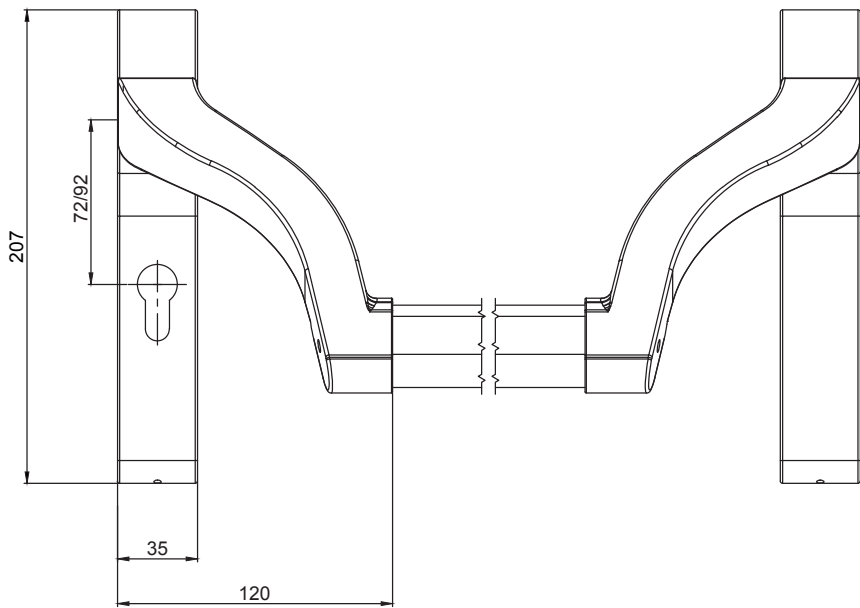


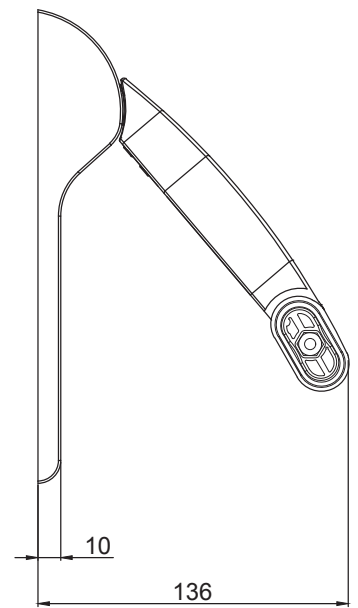
PANIC BAR - STANDARD



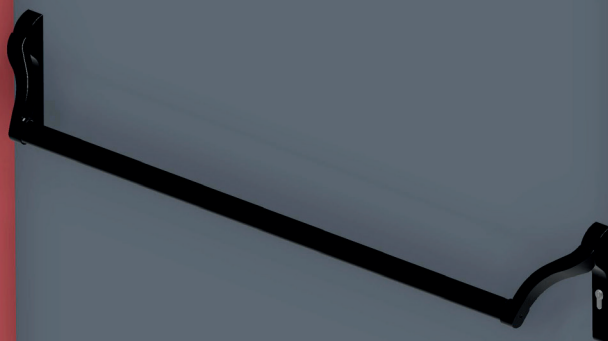
- DFM standard panic bar EPN 900 IV (Eco Schulte)
- collaborates with mortise panic lock
- intended for doors DFM DS 00 / DFM DS 30 / DFM DS 30B / DFM DS 60 / DFM DS 60B-1 / DFM OS 00 / DFM OS 60 / DFM DS 120
- standard finish: black PVC
- optional finishes: stainless steel, aluminium
- available sizes of the bar: 900 mm, 1150 mm and 1500 mm (to be cut on site to required length, corresponding with the width of the door leaf)
- distance: 72 mm, square of handle: 9 mm
- available sets of application: panic bar-handle, panic bar-knob, panic bar-blind door leaf
- intended for evacuation routes in concordance with EN 1125, to complete with a compatible panic lock
- available with hole for PZ cylinder or without
- standard turning angle: 45° (options 30°, 40° on request)



→ view and sizes



→ cross section and sizes

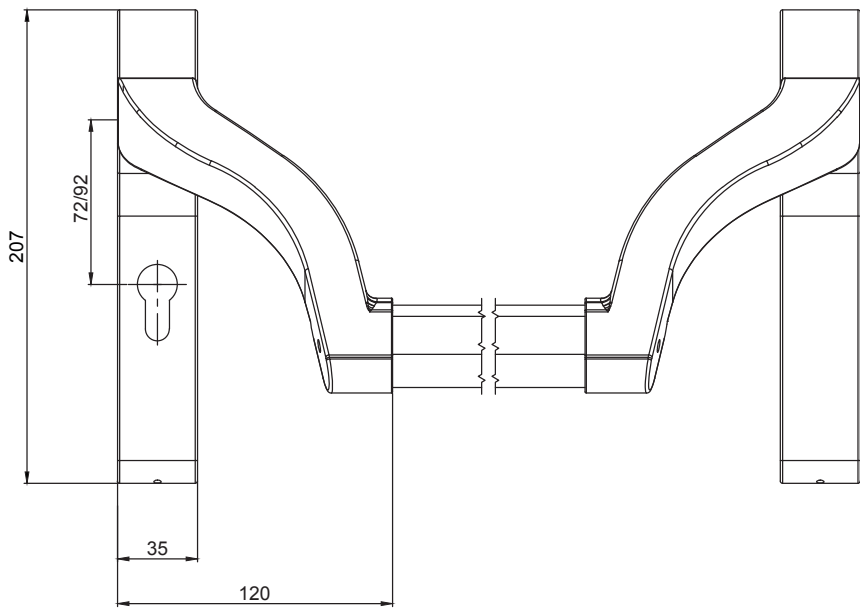


universal panic bar
for left and right
handed doors

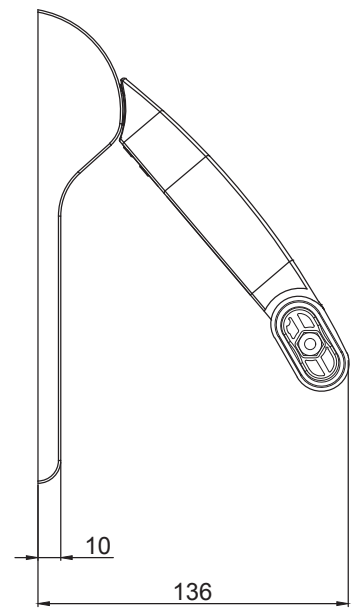
PANIC BAR - OPTION



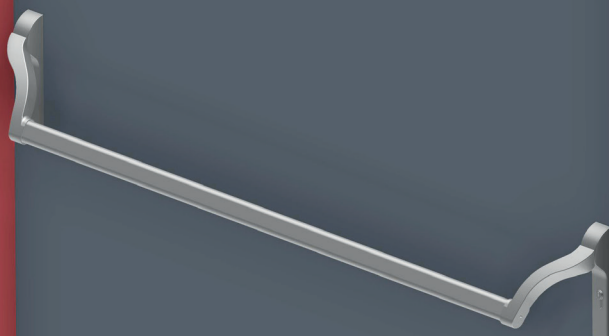
- DFM standard panic bar EPN 900 IV (Eco Schulte)
- collaborates with mortise panic lock
- intended for doors DFM DS 00 / DFM DS 30 / DFM DS 30B / DFM DS 60 / DFM DS 60B-1 / DFM OS 00 / DFM OS 60 / DFM DS 120
- standard finish: black PVC
- optional finishes: stainless steel, aluminium
- available sizes of the bar: 900 mm, 1150 mm and 1500 mm (to be cut on site to required length, corresponding with the width of the door leaf)
- distance: 72 mm, square of handle: 9 mm
- available sets of application: panic bar-handle, panic bar-knob, panic bar-blind door leaf
- intended for evacuation routes in concordance with EN 1125, to complete with a compatible panic lock
- available with hole for PZ cylinder or without
- standard turning angle: 45° (options 30°, 40° on request)



→ view and sizes



→ cross section and sizes

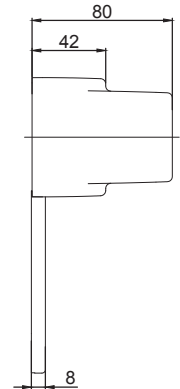
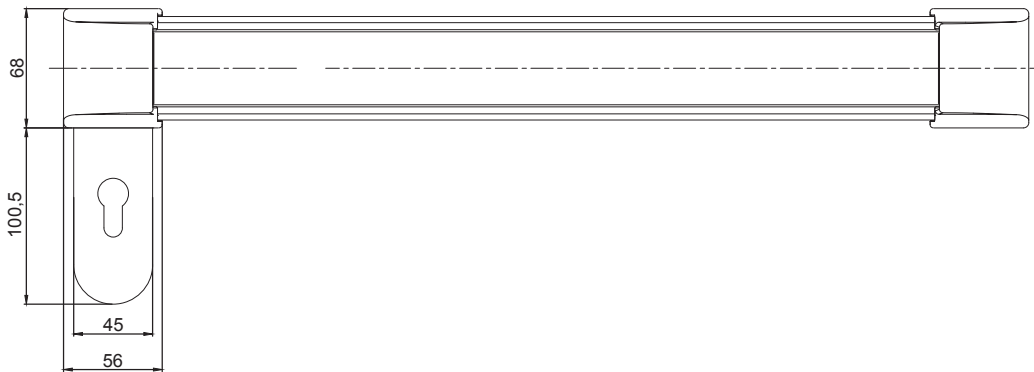
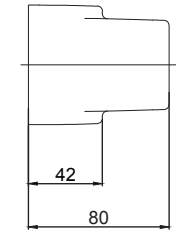
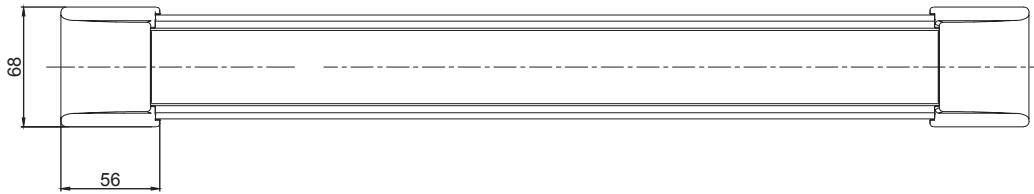


universal panic bar
for left and right
handed doors

PANIC TOUCH BAR

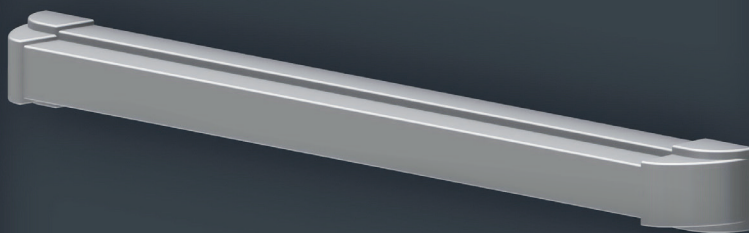


- DFM standard panic touch bar EPN 2000 (Eco Schulte)
- collaborates with mortise panic lock
- intended for doors DFM DS 00 / DFM DS 30 / DFM DS 30B / DFM DS 60 / DFM DS 60B-1 / DFM OS 00 / DFM OS 60 / DFM DS 120
- standard finish: stainless steel
- available distance of fixings: 1000 mm and 1250 mm (to be cut on site to required length, corresponding with the width of the door leaf)
- distance: 72 mm, square of handle: 9 mm
- available sets of application: touch bar-handle, touch bar-knob, touch bar-blind door leaf
- intended for evacuation routes in concordance with EN 1125 to complete with a compatible panic lock
- hole for PZ cylinder available only on long shield



→ view and sizes

→ cross section and sizes



universal touch bar
for left and right
handed doors